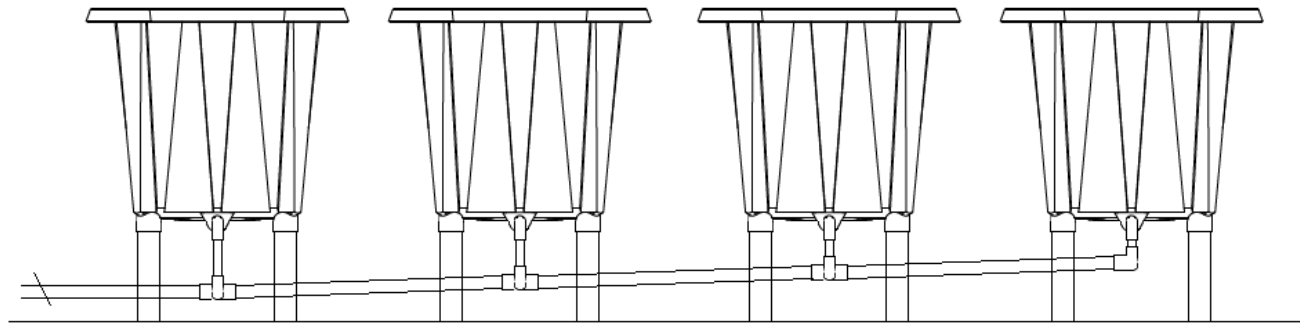


How to Install Optional PVC Legs and Gravity Drain System



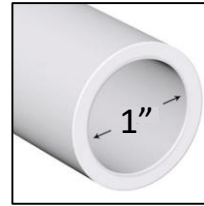
MATERIALS LIST.

Parts that need to be purchased from your Local Hardware Store.
(not included with your kit)



1/2" PVC

For Drain Line Coming from Planter. "Down Spout"



1" PVC

For Main Drain Line.



1- 1/4" PVC

For Optional Legs.
(4 Needed Per Planter)



Male threaded 3/4"
to 1/2" Female Slip

For Connecting Drain Grommet to
Down Spout Drain Line.
(1 Needed Per Planter)



1" x 1" x 1/2" PVC
Reducing Slip Tee

For Connecting Individual Planter
Drain Spouts to Main Drain Line.
(1 Needed Per Planter Except End of Row)



1" x 1/2" PVC Reducing
Slip Elbow

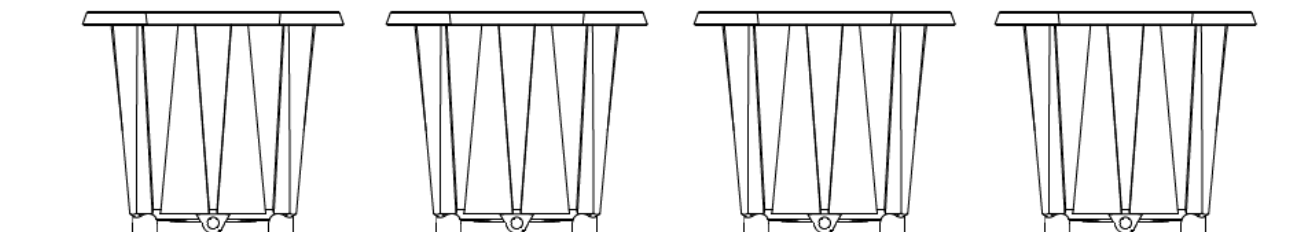
For Connecting Drain Line Coming from
Planter at the "End of the Row" to
the Main Drain Line.



Optional: PVC Cement

1

STEP 1: Unpack planters and place them in desired area.

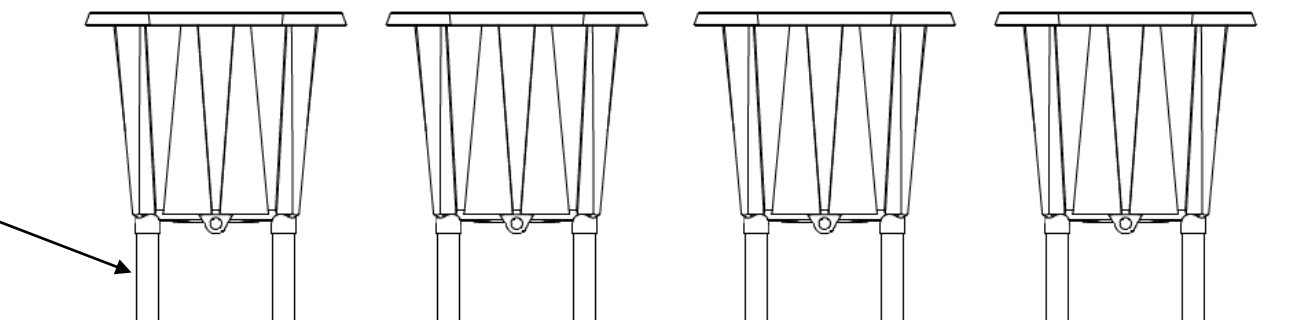


2

STEP 2: Raise your Ez-Pz Planters™ to your desired height with 1-1/4" PVC under each corner.



1- 1/4" PVC



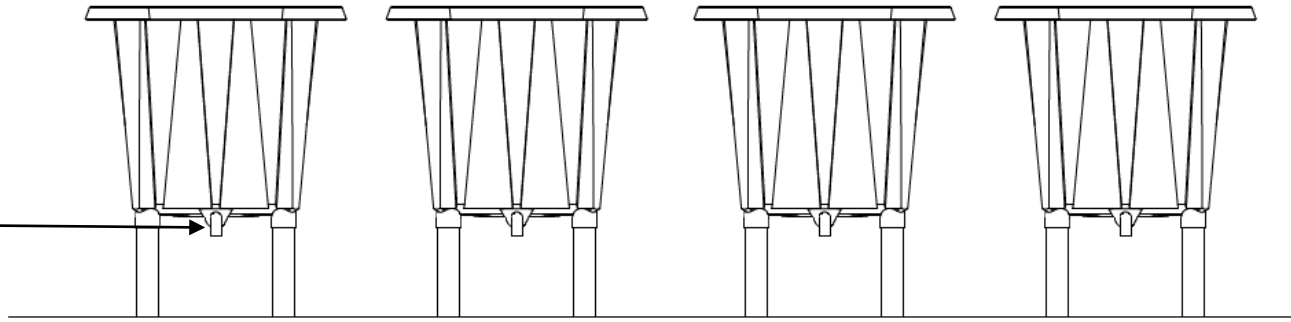
PRO TIP: MEASURE TWICE, CUT ONCE!

3

STEP 3: Gently screw 1/2" PVC Street Elbow fitting into drainage grommet until no threads are shown.



Male threaded 3/4"
to 1/2" Female Slip

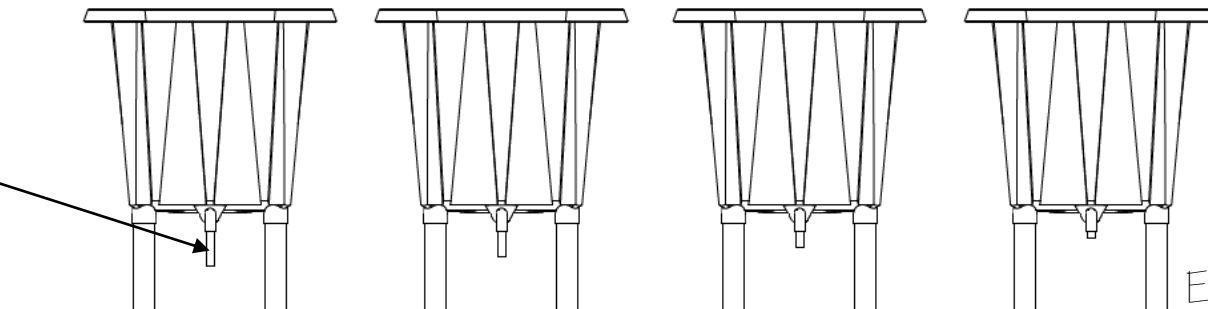


4

STEP 4: Starting from the end of each row, working yourself towards your reservoir; cut each 1/2" PVC 1/4" Shorter coming out of the Drain line before it connects to your 1" "T" and 90 degree elbow.



1/2" PVC

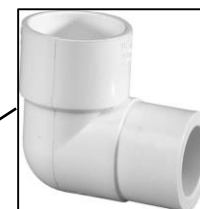
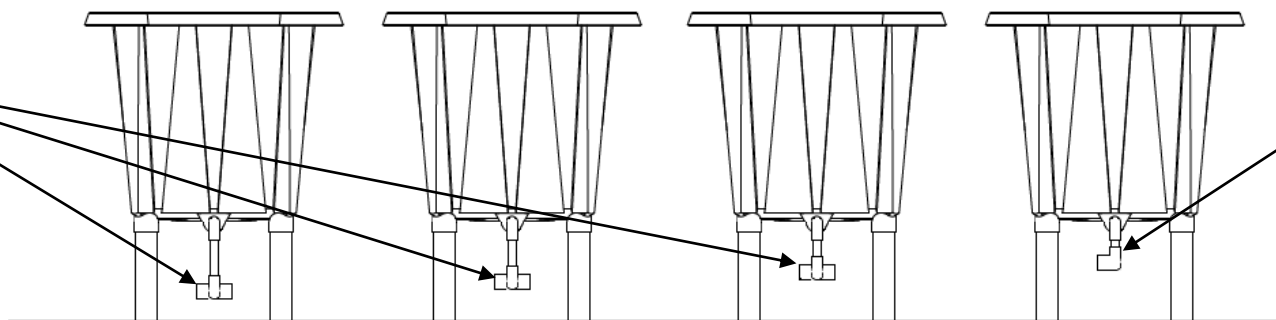


5

STEP 5: Insert 1/2" Female to 1" Female Elbow on end of row & 1" x 1" x 1/2" PVC Reducing Slip Tee as shown below.



1" x 1" x 1/2" PVC Reducing Slip Tee



1" x 1/2" PVC Reducing Slip Elbow

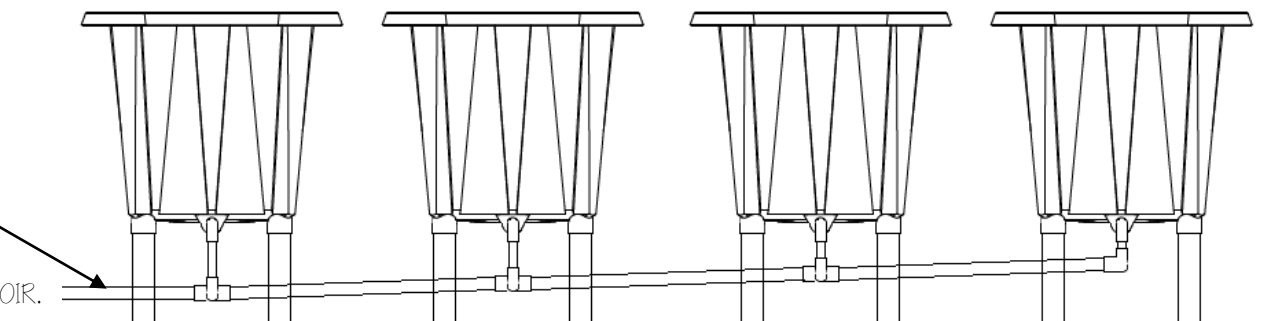
6

STEP 6: Connect elbows and Tees Using 1" PVC and connect to reservoir for recycling or exterior waste water drain.



1" PVC

TO RESERVOIR.



More help and information available online at
www.thebucketcompany.com

THE Bucket+Company™



Page 5.